



FS 30

Flavor Select Advanced Ice-Beverage Dispenser

The FS30 is designed using the highest quality materials and state-of-the-art technology providing our customers with consistent quality and a unique drink experience and ice dispensing.

- Cold carbonation for consistently better drink quality
- 16 Brands for over 112 Flavor Possibilities
- Add up to 12 bonus flavors to create an exceptional drink experience
- “Lite Touch™” brand light show draws attention to your more profitable fountain section!
- Self-contained with multiple ice fill options
- Fits in current 30" IBD footprint
- “Air Mix™” nozzles blend syrup and water in midair for consistent drink delivery
- Illuminated easily interchangeable merchandiser
- Large capacity removable drip tray and cup rest
- Cubelet ice capable dispense is available-specifications on request

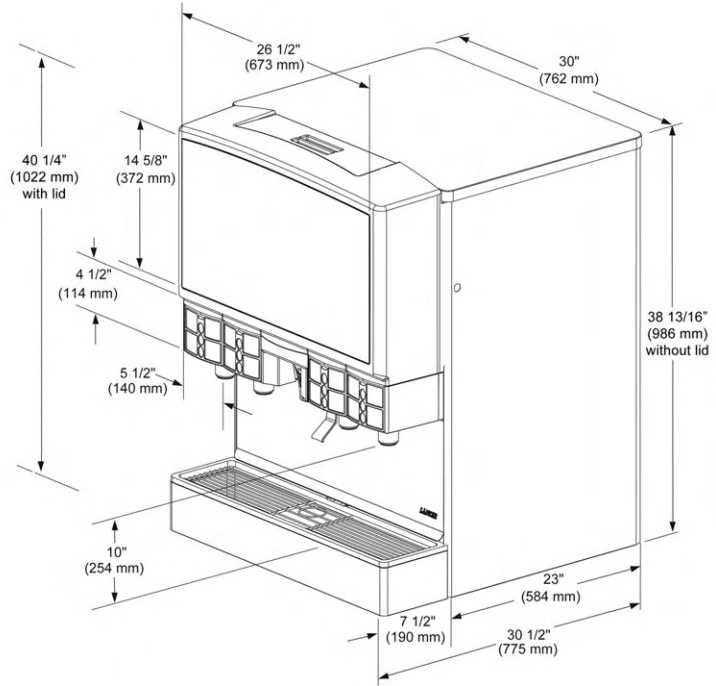


ETL CERTIFIED TO UL STD 783 AND
CAN/CSA STD 22.2 NO. 195

LANCER®

FS 30

SPECIFICATIONS



User Interface Options for FS Series

- FS30 - 16 Brands, 112 Flavor Possibilities
- FS30 - 14 Brands, 98 Flavor Possibilities
- FS30 - 12 Brands, 84 Flavor Possibilities
- FS30 - 10 Brands, 70 Flavor Possibilities
- FS30 - 8 Brands, 56 Flavor Possibilities



Lancer "Lite Touch" user interface panels



Up to 16 enhanced fountain brands available

Bonus flavor indicator

Add up to 12 bonus flavor options

DIMENSIONS

Width: 30 in (762 mm)
Depth: 30.5 in (775 mm)
Height: 40.25 in (1022 mm)

SPACE REQUIRED

Left side: 1 in (25 mm)
Right side: 1 in (25 mm)
Back: 1 in (25 mm)
Top: 6 in (152 mm)
Optional legs: 4 in (102 mm)

ELECTRICAL

115VAC/60Hz, 7AMPs

WEIGHT

Without ice: 320 lbs (145 kg)
With ice: 620 lbs (281 kg)
Shipping: 356 lbs (161 kg)

ICE

Capacity: 290 lbs (132 kg)
Dispensable: 215 lbs (98 kg)

FITTINGS

Soda inlets: 3/8" barb
Syrup inlets: 3/8" barb

WATER

Filtered water 50 psi min

Lancer LFCV Valves

Key lock switch for valves

Field Configurable

Front connection for products

Access to floor drain suggested

Parts warranty

Warranty: For warranty specifics by product, contact your Lancer Sales Representatives.

CORPORATE OFFICE 6655 Lancer Blvd - San Antonio, TX 78219
210-310-7000 - 1-800-729-1500 - FAX 210-310-7250 - www.lancercorp.com

"Lancer" is the registered trademark of Lancer® © 2007 by Lancer, all rights reserved.

FS 30 Spec Sheet 08/07

Equipment design and/or specifications may change without notice.